

**Product Name:** Angiotensin (1-7)  
**Catalog Number:** BCC1029  
**Batch Number:** KLKH12b01

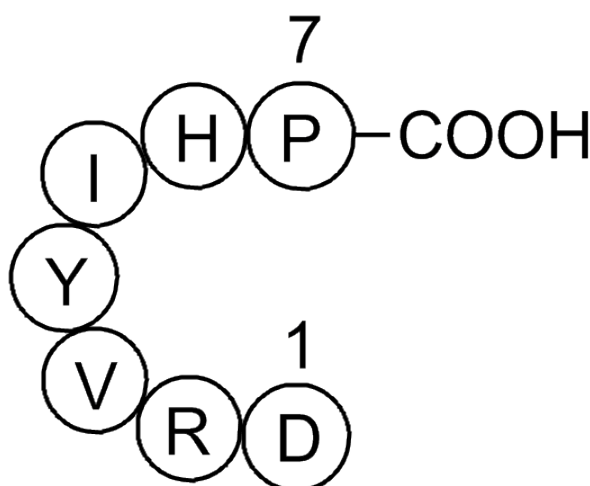
## 1. PHYSICAL AND CHEMICAL PROPERTIES

**Molecular Formula:** C<sub>41</sub>H<sub>62</sub>N<sub>12</sub>O<sub>11</sub>  
**Molecular Weight:** 899  
**Purity:** >98%  
**Cas Number:** 51833-78-4

## 2. ANALYTICAL DATA

**HPLC:** Shows >98% purity  
**NMR:** Consistent with structure

## 3. CHEMICAL STRUCTURE



## 4. USAGE GUIDE

**Storage:** Store the product in sealed, cool and dry condition.  
**General tips:** For obtaining a higher solubility, please warm the tube at 37 degrees Celsius (98.6 degrees Fahrenheit) and shake it in the ultrasonic bath for a while.

**Authorized Signature:**

**Date:**