
Product Name: ?-Interleukin I (163-171), human
Catalog Number: BCC1017
Batch Number: KLKH12b01

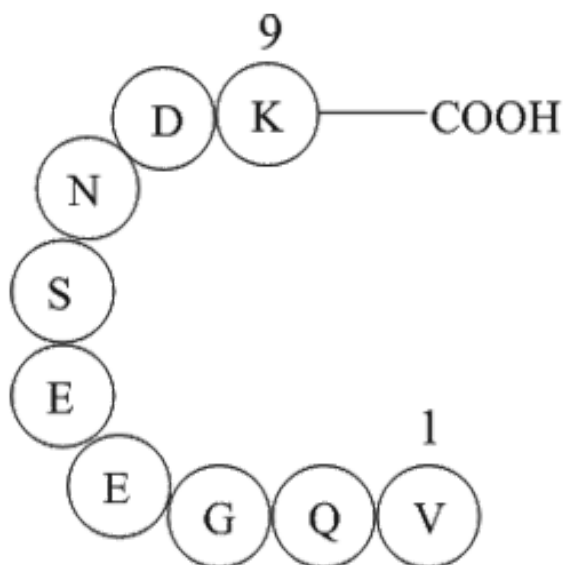
1. PHYSICAL AND CHEMICAL PROPERTIES

Molecular Formula: C₃₉H₆₄N₁₂O₁₉
Molecular Weight: 1004.99
Purity: >98%
Cas Number: 106021-96-9

2. ANALYTICAL DATA

HPLC: Shows >98% purity
NMR: Consistent with structure

3. CHEMICAL STRUCTURE



4. USAGE GUIDE

Storage: Store the product in sealed, cool and dry condition.
General tips: For obtaining a higher solubility, please warm the tube at 37 degrees Celsius (98.6 degrees Fahrenheit) and shake it in the ultrasonic bath for a while.

Authorized Signature:

Date: