

**Product Name:** FLAG tag Peptide  
**Catalog Number:** BCC2562  
**Batch Number:** KLKH12b01

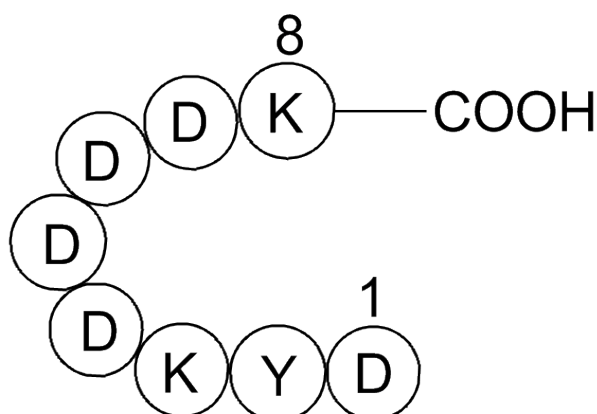
## 1. PHYSICAL AND CHEMICAL PROPERTIES

**Molecular Formula:** C<sub>41</sub>H<sub>60</sub>N<sub>10</sub>O<sub>20</sub>  
**Molecular Weight:** 1012.97  
**Purity:** >98%  
**Cas Number:** 98849-88-8

## 2. ANALYTICAL DATA

**HPLC:** Shows >98% purity  
**NMR:** Consistent with structure

## 3. CHEMICAL STRUCTURE



## 4. USAGE GUIDE

**Storage:** Store the product in sealed, cool and dry condition.  
**General tips:** For obtaining a higher solubility, please warm the tube at 37 degrees Celsius (98.6 degrees Fahrenheit) and shake it in the ultrasonic bath for a while.

**Authorized Signature:**

**Date:**