

Product Name: DAPK Substrate Peptide
Catalog Number: BCC2400
Batch Number: KLKH12b01

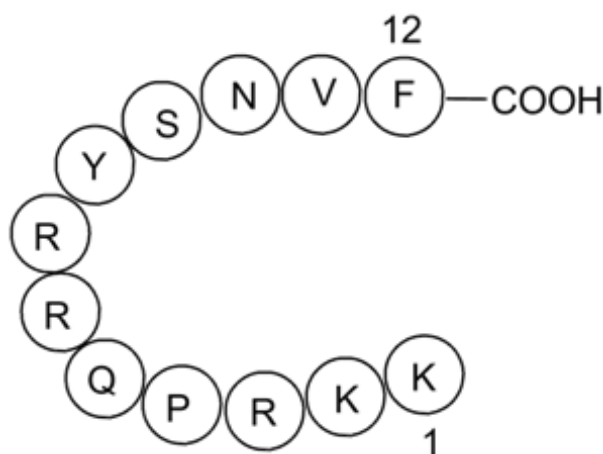
1. PHYSICAL AND CHEMICAL PROPERTIES

Molecular Formula: C70H115N25O17
Molecular Weight: 1578.82
Purity: >98%
Cas Number: 386769-53-5

2. ANALYTICAL DATA

HPLC: Shows >98% purity
NMR: Consistent with structure

3. CHEMICAL STRUCTURE



4. USAGE GUIDE

Storage: Store the product in sealed, cool and dry condition.
General tips: For obtaining a higher solubility, please warm the tube at 37 degrees Celsius (98.6 degrees Fahrenheit) and shake it in the ultrasonic bath for a while.

Authorized Signature:

Date: